

installation instructions:

CROWN MOULDING

SAFETY INSTRUCTIONS

Make sure to use the correct tools recommended.

Wear safety goggles.

Follow fixture, power tools, and paint manufacturers' instructions and users manuals.

Use common sense and follow good construction practices.

TOOL & MATERIAL CHECKLIST

- construction adhesive
- elastomeric adhesive caulk
- caulking gun
- finishing nails
- miter saw
- putty knife
- chalk line box & pencil

IMPORTANT INFO

- It is highly recommended that you paint or finish moulding before you install it.
- Once installed, you can apply any necessary touchup paint or finish. Note: A high quality exterior grade latex paint is recommended.
- Place moulding in room 2 to 3 days prior to installation. This allows the moulding to adjust to the temperature of the room.
- Clean installation surface and back of moulding of all dirt and dust with a clean cloth or sponge. Make sure that the surface and the back of the moulding are completely dry before attempting installation.

INSTALL INSTRUCTIONS:

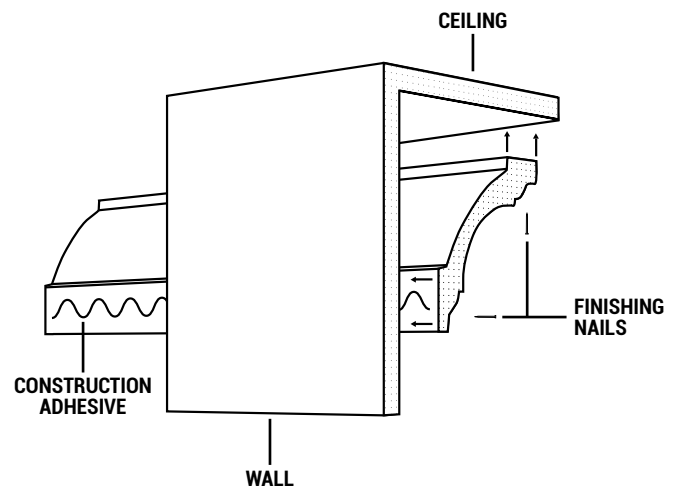
Crown Moulding Installation

1. Prep universal corners and moulding by trimming and matching up detail as necessary.
2. Apply a continuous 1/2" bead of construction adhesive along the top and back of moulding lengths and universal corners. Adhesive should be used to fill any gaps. Press moulding into place. Finishing nails should be used to secure moulding.
3. Apply caulk in remaining gaps and smooth with finger or putty knife.
4. Touchup moulding as needed.

Mitering Corners

1. Place moulding in the miter box with the wall side against the side of the miter box opposite you and the ceiling touching side against the bottom of the box.
2. Cut miters and butt joints prior to installation.

EXAMPLE DIAGRAM:



installation instructions:

WOOD CROWN MOULDING

SAFETY INSTRUCTIONS

Make sure to use the correct tools recommended.

Wear safety goggles.

Follow fixture, power tools, and paint manufacturers' instructions and users manuals.

Use common sense and follow good construction practices.

TOOL & MATERIAL CHECKLIST

- nail gun
- finishing nails
- wood glue
- wood putty/filler
- putty knife
- sandpaper
- miter box & mitering saw

IMPORTANT INFO

- It is highly recommended that you paint or finish moulding before you install it.
- Once installed, you can apply any necessary touchup paint or finish. Note: A high quality exterior grade latex paint is recommended.
- Place moulding in room 2 to 3 days prior to installation. This allows the moulding to adjust to the temperature of the room.
- Clean installation surface and back of moulding of all dirt and dust with a clean cloth or sponge. Make sure that the surface and the back of the moulding are completely dry before attempting installation.

INSTALL INSTRUCTIONS:

Mitering Corners

1. Place moulding in the miter box with the wall side against the side of the miter box opposite you and the ceiling touching side against the bottom of the box.
2. Cut miters and butt joints prior to installation.

Crown Moulding Installation

1. Apply a continuous 1/2" bead of wood along the top and back of moulding lengths and universal corners. Press moulding into place.
2. Secure the moulding in place with finishing nails
3. Apply wood putty/filler in remaining gaps and smooth with finger or putty knife.
4. Touchup moulding as needed and light sand areas with excess putty.

EXAMPLE DIAGRAM:

