

installation instructions:

WOOD BRACKETS & CORBELS

SAFETY INSTRUCTIONS

Make sure to use the correct tools recommended.

Wear safety goggles.

Follow fixture, power tools, and paint manufacturers' instructions and users manuals.

Use common sense and follow good construction practices.

Consult a professional about using brackets & corbels for load bearing applications

TOOL & MATERIAL CHECKLIST

- Electric Drill
- Hammer
- Wood Glue
- Screws
- Nails

IMPORTANT INFO

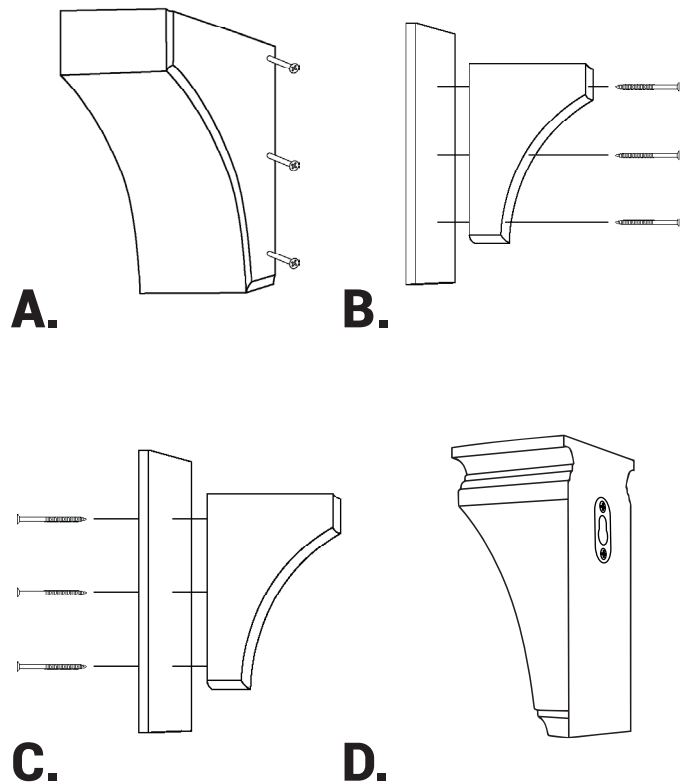
- Clean installation surface and back of bracket of all dirt and dust with a clean cloth or sponge.
- Make sure that the surface and the back of the bracket are completely dry before attempting installation.
- Measure and mark the location where the bracket is going to be installed.
- Be sure to consult a professional about painting or staining this product.

INSTALL INSTRUCTIONS:

1. Lay the bracket or corbel face down on a soft surface that will not damage the bracket detail.
2. Apply wood glue to the installation areas of the corbel, top and/or back.
3. When pressing the bracket up against the surface, some glue will seep out. Wipe these areas clean to ensure quality of install.
4. Install by either (A) toe nailing the corbel from the sides, (B) screwing straight through the corbel or bracket, (C) screwing through the wall from behind, or (D) use the key hole to hang the bracket.

NOTE: Consult a professional about using corbels & brackets for load bearing applications.

EXAMPLE DIAGRAM:



We Can Help. Call (866) 607-0453



EKENA
MILLWORK

Industry leading manufacturer of urethane, PVC, wood, rustic, and metal millwork

www.ekenamillwork.com